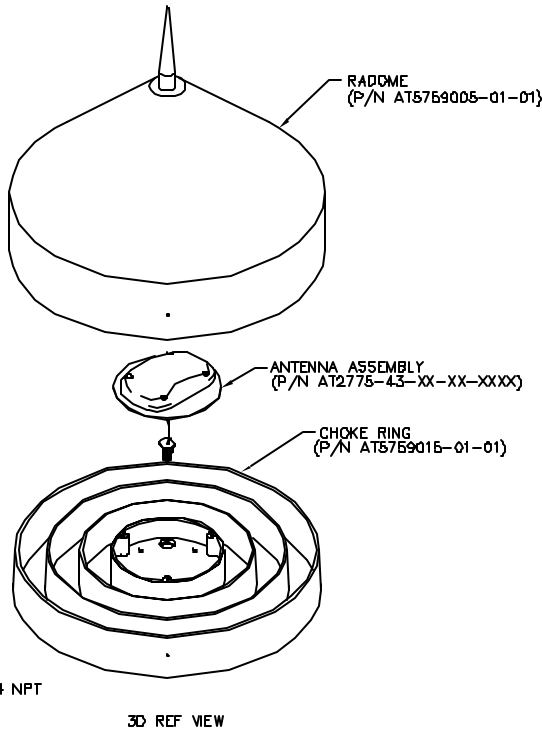
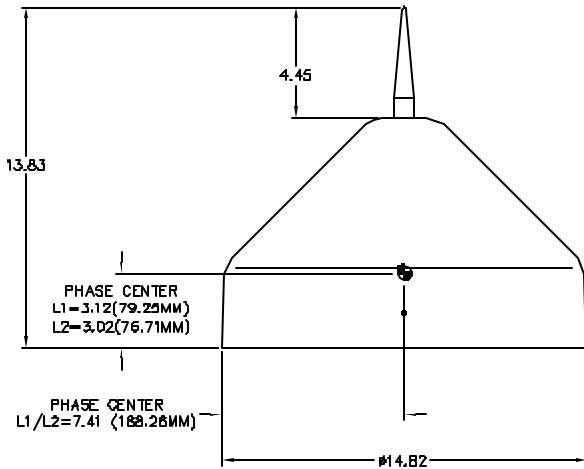


PROPRIETARY NOTICE: This document contains proprietary information of AeroAntenna Technology Inc. The placement, use, disclosure or use for any purpose other than completion of this document without the express written permission of a duly authorized representative of AeroAntenna Technology Inc.

REVISIONS			
SYM	DESCRIPTION	DATE	APPROVED
A	PRODUCTION RELEASE SEE ECO 3534	06/28/99	

NOTES: UNLESS OTHERWISE SPECIFIED.

1. LODD OPTIONAL.
2. LABEL SIZE, SHAPE, AND CONTENTS SUBJECT TO CHANGE WITHOUT NOTICE.
3. TOLERANCES: .XX = ±.03
.XXX = ±.010



SPECIFICATION:

FREQUENCY: 1227 ±10 MHz ±
1676 ±10 MHz
POLARIZATION: RIGHT HAND CIRCULAR
AXIAL RATIO: 3 dB MAX
RADIATION COVERAGE: 4.0 dBic D' = 0°
-1.0 dBic 0° < θ < 75°
-2.5 dBic 75° < θ < 80°
-4.5 dBic 80° < θ < 85°
-7.5 dBic θ = 90°

AMPLIFIER:
NOISE FIGURE: 2.5 dB MAX
IMPEDANCE: 50 OHMS
VSWR: < 2.0:1
BAND REJECTION: 35 dB
POWER HANDLING: 1 WATT
FINISH: POLYURETHANE ENAMEL
COLOR: WHITE
WEIGHT: 10 LBS MAX
ALTITUDE: 20,000'
OPERATING TEMP: -40°C TO +70°C
DESIGNED TO: DD-180C

PART NO. DESIGNATION:

AT2775-43X-XXXX-XXX-XX-XX-XX

COLOR
W = WHITE
* S = SMOKE GRAY
* Q = OLIVE DRAB

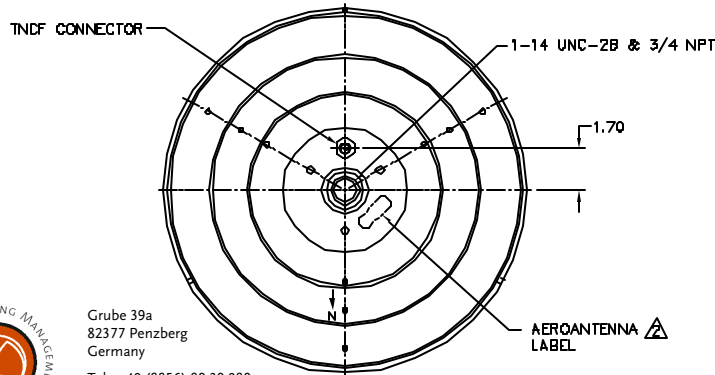
CONNECTOR
* TNCM = TNC MALE
TNCF = TNC FEMALE
* BNCF = BNC FEMALE
* MCXM = MCX MALE
* MCXF = MCX FEMALE
* SMAN = SMA MALE
* SMAF = SMA FEMALE
* NTPM = NTP MALE
NTPF = NTP FEMALE
* ODDO = NO TERMINATION

CABLE LENGTH
* ODD = IN INCHES
* = OPTION NOT AVAILABLE WITH THIS MODEL
STANDARD MODEL = AT2775-43W-TNCF-ODD-RG-28-NM

MAGNET
NM = NO MAGNET
* IM = INTERNAL
* RM = REMOVABLE
* HD = HEAVY DUTY

GAIN (± 2 dB)
00 = PASSIVE
12 = 12 dB (30 mA)
26 = 26 dB (50 mA)
36 = 36 dB (80 mA)
XX = OTHER

VOLTAGE
00 = PASSIVE
* 05 = +5 VDC
RG = +5 TO +18 VDC
XX = OTHER



Grube 39a
82377 Penzberg
Germany
Tel.: +49 (8856) 80 30 980
Fax: +49 (8856) 80 30 988
Email: info@ppmgbh.com
Web: www.ppmgbh.com

DO NOT SCALE THIS DRAWING ALL DIMENSIONS ARE IN INCHES DIMENSIONING & TOLERANCING PER ANSI Y14.1M-1992 TOLERANCE: .005 = .001 .008 = .002 .012 = .002 .015 = .002 .020 = .002 .030 = .002 .040 = .002 .050 = .002 .060 = .002 .070 = .002 .080 = .002 .090 = .002 .100 = .002 .120 = .002 .150 = .002 .200 = .002 .250 = .002 .300 = .002 .400 = .002 .500 = .002 .600 = .002 .800 = .002 1.000 = .002 1.200 = .002 1.500 = .002 2.000 = .002 2.500 = .002 3.000 = .002 4.000 = .002 5.000 = .002 6.000 = .002 8.000 = .002 10.000 = .002 12.000 = .002 15.000 = .002 20.000 = .002 25.000 = .002 30.000 = .002 40.000 = .002 50.000 = .002 60.000 = .002 80.000 = .002 100.000 = .002 UNLESS OTHERWISE SPECIFIED	DRAWN J. BAELLY 06/28/99	TITLE L1/L2 GPS ANTENNA			
	CHECKED ENGR Q.A. APPROVED		SIZE B	CAGE CODE OUVG2	DRAWING NO. AT2775-43
USED ON	UNLESS OTHERWISE SPECIFIED	DRAWN IN ACAD	SCALE NONE	AT2775-43A	SHEET 1 OF 1

