

PROPRIETARY NOTICE: This document contains proprietary information of AAT Inc. neither the document nor said proprietary information shall be published, reproduced, copied, disclosed or used for any purpose other than consideration of this document without the express written permission of a duly authorized representative of said Company.

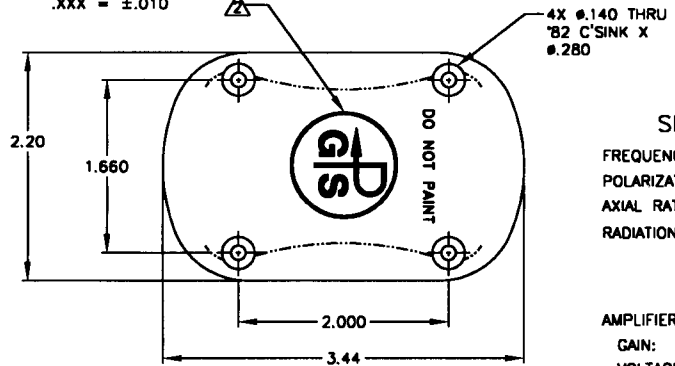
REVISIONS				
LTR	DESCRIPTION	EFFECTIVITY	DATE	APPO
E	UPDATE TO CURRENT PRODUCTION	ECO #2692	05/05/98	

- NOTES: UNLESS OTHERWISE SPECIFIED.
- ⚠ O-RING AND 4 SCREWS SUPPLIED BY AEROANTENNA TECHNOLOGY.
  - ⚠ LOGO OPTIONAL.
  - ⚠ LABEL SIZE, SHAPE AND CONTENTS SUBJECT TO CHANGE WITHOUT NOTICE.
4. TOLERANCES: .XX = ±.03  
.XXX = ±0.10



Grube 39a  
82377 Penzberg  
Germany

Tel.: +49 (8856) 80 30 980  
Fax: +49 (8856) 80 30 988  
Email: info@ppmgmbh.com  
Web: www.ppmgmbh.com



**SPECIFICATION:**

FREQUENCY: 1575 ±5 MHz  
POLARIZATION: RIGHT HAND CIRCULAR  
AXIAL RATIO: 3 dB MAX  
RADIATION COVERAGE: 4.0 dBic 0° = 0°  
-1.0 dBic 0° < θ < 75°  
-2.5 dBic 75° < θ < 80°  
-4.5 dBic 80° < θ < 85°  
-7.5 dBic θ = 90°

**AMPLIFIER:**  
GAIN: SPECIFY WHEN ORDERING  
VOLTAGE: SPECIFY WHEN ORDERING  
NOISE FIGURE: 2.5 dB MAX  
IMPEDANCE: 50 OHMS  
VSWR: ≤2.0:1  
BAND REJECTION: 35 dB  
POWER HANDLING: 1 WATT

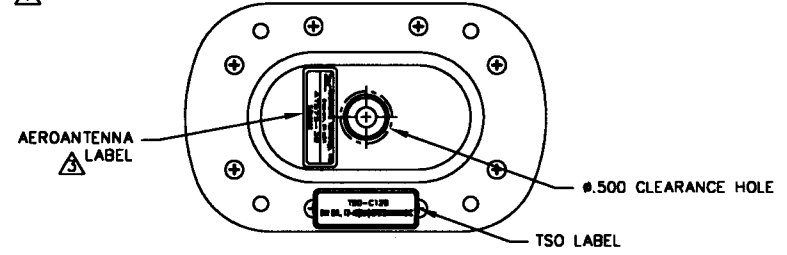
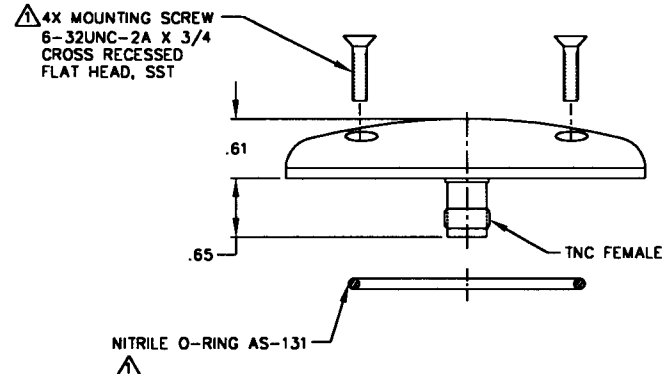
**FINISH:** POLYURETHANE ENAMEL  
**WEIGHT:** 3.9 OZ  
**ALTITUDE:** 55,000'  
**OPERATING TEMP.:** -55°C TO +85°C  
**DESIGNED TO:** DO-160C, ENV CAT: F2-AB[CLY]XSFDFSSXXXXXAM[2A]C  
**TSO:** C-129

**PART NO. DESIGNATION:**

AT575-32X-XXXX-XXX-XX-XX-XX

- COLOR**  
W = WHITE  
S = SMOKE GRAY  
O = OLIVE DRAB
- CONNECTOR**  
• TNCM = TNC MALE  
• TNCF = TNC FEMALE  
• BNCM = BNC MALE  
• BNCF = BNC FEMALE  
• MCXM = MCX MALE  
• MCXF = MCX FEMALE  
• SMAM = SMA MALE  
• SMAF = SMA FEMALE  
• NTPM = N TYPE MALE  
• NTPF = N TYPE FEMALE  
• O000 = NO TERMINATION
- CABLE LENGTH**  
• 000 = IN INCHES
- MAGNET**  
NM = NO MAGNET  
• IM = INTERNAL  
• RM = REMOVABLE  
• HD = HEAVY DUTY
- GAIN (± 2 dB)**  
00 = PASSIVE  
12 = 12 dB (20 mA)  
26 = 26 dB (35 mA)  
36 = 36 dB (50 mA)  
XX = OTHER
- VOLTAGE**  
00 = PASSIVE  
05 = 5 VDC  
RG = 5-18 VDC  
XX = OTHER
- \* = OPTION NOT AVAILABLE WITH THIS MODEL

STANDARD MODEL = AT575-32W-TNCF-000-RG-26-NM



CODE IDENT	PART OR IDENTIFYING NO.	QUANTITY	NOMENCLATURE OR DESCRIPTION	MATERIAL/SPECIFICATION	ITEM NO.
LIST OF MATERIALS					
	DRAWN BY	TIVAROVSKY	2/25/97		
	CHECK	E. GALBAN	3/1/97		
	PROJ ENGR	T. JEENSALUTE	3/1/97		
	D.A.	B. RUBENI	3/1/97		
	APPROVAL	G. SHACHAR	3/1/97		
UNLESS OTHERWISE SPECIFIED					
DO NOT SCALE DRAWING TOLERANCES DIMENSIONS ARE IN INCHES .004-.001-.002-.005 ANGLES ± 1/2°					
	INDICATES SURFACE ROUGHNESS PER MIL-STD-10				
NEXT ASSY	USED ON	SIZE	CAGE CODE	DRAWING NO.	REV
		B	OUVG2	AT575-32	E
APPLICATION		SCALE NONE	AT575-32E	SHEET 1 OF 1	

AT575-32E

A