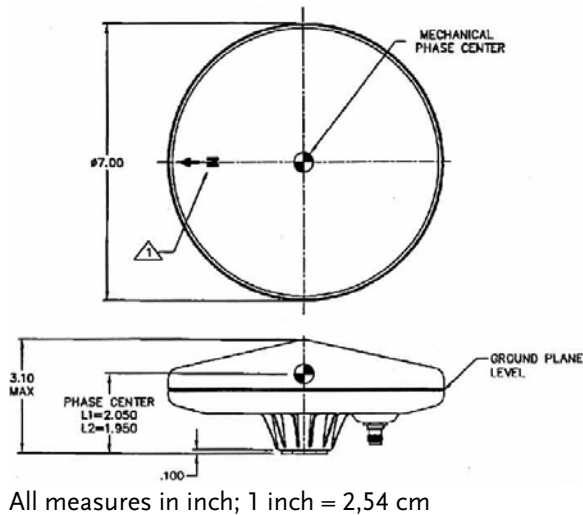


L1/L2 GPS Antenna AT2775-42



All measures in inch; 1 inch = 2,54 cm



The GPS antenna AT2775-42 von AeroAntenna Technology, Inc. is a high-precision dual frequency GPS antenna with integrated groundplane for demanding application

Options:

- Amplification (gain): 00 (passive), 12 dB (20 mA), 26 dB (35 mA), 36 dB (50 mA), other on request
- Input voltage: 00 (passive), 5 VDC, 5 - 18 VDC, other on request
- HF-connector: TNC female, BNC female, N-Type female, other on request
- 5/8" Internal thread for mounting

Applications:

- Marine and land navigation
- Hydrographic surveys
- Land survey
- Machinery control
- GPS deformation monitoring

Specifications

Frequency	1227 ± 10 MHz 1575 ± 10 MHz	Amplifier		Finish	weatherable Polymer
Polarization	right hand circular	Noise figure	max. 2,5 dB	Dimensions	Ø 177,6 mm x 78,7 mm
Axial Ratio	max. 3 dB	Impedance	50Ω	Weight	max. 425 g
Radiation Coverage	4,0 dBic 0° = 0° - 1,0 dBic 0° < Θ < 75° - 2,5 dBic 75° ≤ Θ < 80° - 4,5 dBic 80° ≤ Θ < 85° - 7,5 dBic 85° ≤ Θ = 90°	VSWR	< 2.0 : 1	Operating Temperature	- 40°C to + 70°C
		Band rejection	35 dB	Designed to	DO-160C
		Power handling	1 Watt		