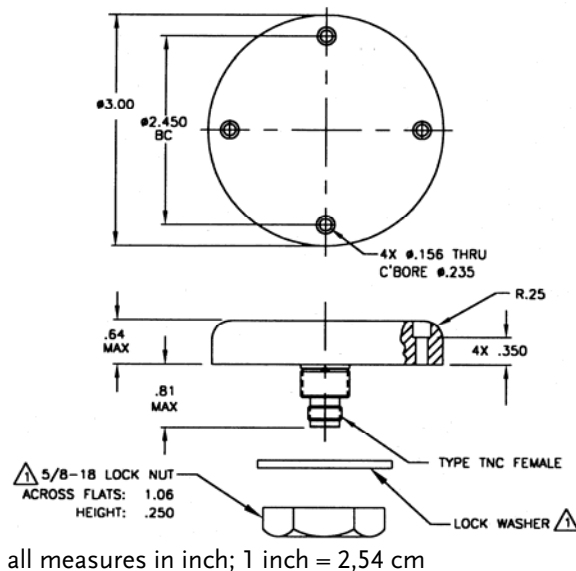


L1 GPS Antenna AT575-204



The GPS antenna AT575-204 from AeroAntenna Technology, Inc. is a high-quality low-cost single frequency GPS antenna for permanent installation, for example: in vehicles.

Options:

- amplification (gain) ± 2 dB: 00 (passive), 12 dB (20 mA), 26 dB (35 mA), other on request
- input voltage: 00 (passive), 5 VDC, other on request
- HF connector: TNC female, SMA female, other on request
- for thread mounting

Applications:

- Marine and land navigation
- Fleet management
- Low cost machinery control

Specification

Frequency	1575 \pm 5 MHz	Amplifier		Finish	weatherable Polymer	
Polarization	right hand circular	Noise figure	max. 2,5 dB	Dimensions	ϕ 76,1 mm x 36,8 mm	
Axial Ratio	max. 3 dB	Impedance	50 Ω	Weight	max. 114 g	
Radiation Coverage	4,0 dBic	0° = 0°	VSWR	< 2.0 : 1	Operating Temperature	- 40°C to + 70°C
	- 1,0 dBic	0° < θ < 75°	Band rejection	35 dB	Designed to	DO-160C
	- 2,5 dBic	75° \leq θ < 80°	Power handling	1 Watt		
	- 4,5 dBic	80° \leq θ < 85°				
	- 7,5 dBic	85° \leq θ = 90°				