

- NOTES:
1. LABEL SIZE, SHAPE, AND CONTENTS SUPPLIED BY MAGELLAN/ASSTECH.
  2. LOGO LOCATION AND ORIENTATION.
  3. TOLERANCES: .XX ± .03  
.XXX ± .010
  4. ALL LABELS SHALL BE LEGIBLE WHEN VIEWED FROM THE SIDE.

SPECIFICATION:

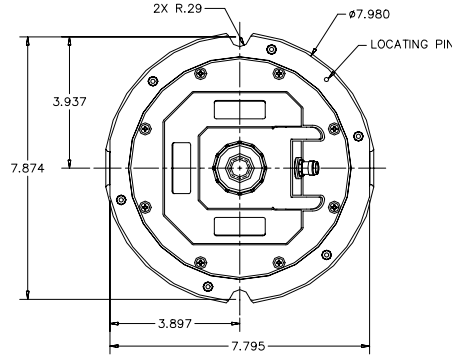
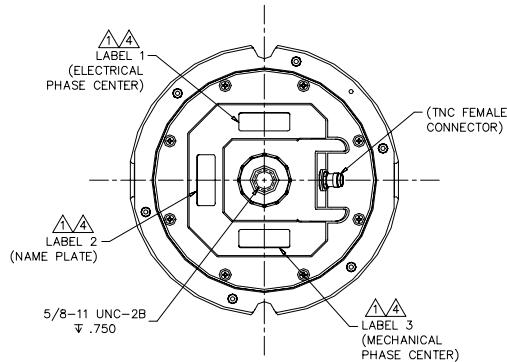
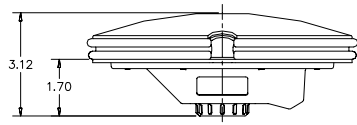
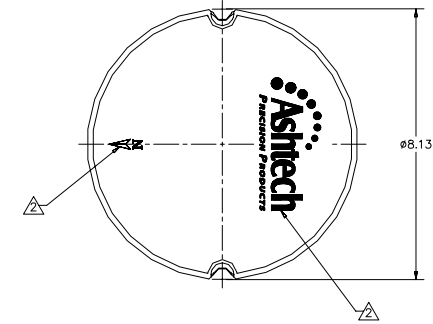
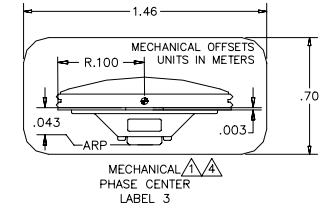
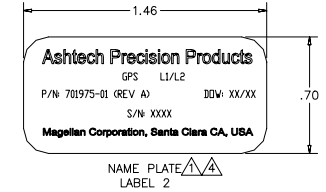
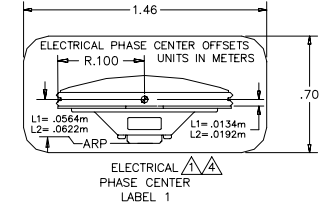
FREQUENCY: 1227±10 MHz & 1575±10 MHz  
 POLARIZATION: RIGHT HAND CIRCULAR  
 AXIAL RATIO: 3 dB MAX  
 RADIATION COVERAGE:  
 -TBD dBic @  $\theta = 0^\circ$   
 -TBD dBic  $0^\circ < \theta < 75^\circ$   
 -TBD dBic  $75^\circ \leq \theta < 80^\circ$   
 -TBD dBic  $80^\circ \leq \theta < 85^\circ$   
 -TBD dBic  $\theta = 90^\circ$

AMPLIFIER:  
 GAIN: 38 dB ± 3 dB  
 NOISE FIGURE: 2.5 dB MAX  
 VOLTAGE: REGULATED  
 IMPEDANCE: 50 OHMS  
 VSWR: 2.0:1  
 BAND REJECTION: 70dB @ 1625MHz

CONNECTOR OPTIONS: TNC FEMALE  
 WEIGHT: 1.8 lbs. MAX  
 MATERIAL: RADOME: XENYO 2230EU, WHITE  
 BASE: XENYO 2230EU, BLUE (PANTONE 300)

ALTITUDE: 50,000'  
 OPERATING TEMP: -55°C TO +85°C  
 MOISTURE RESISTANCE: SUBMERSIBLE (PASSES IPX7 STANDARD)  
 SHOCK: SURVIVES 2.0 METER POLE DROP ON TO CONCRETE  
 VIBRATION: DESIGNED TO D0160C

REVISIONS			
REV	DESCRIPTION	DATE	APRV
A	RELEASE TO MANUFACTURING PER ECO #52277	11-21-00	RG

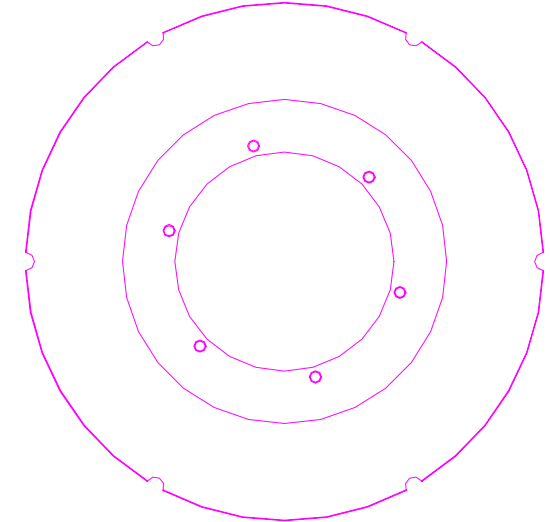
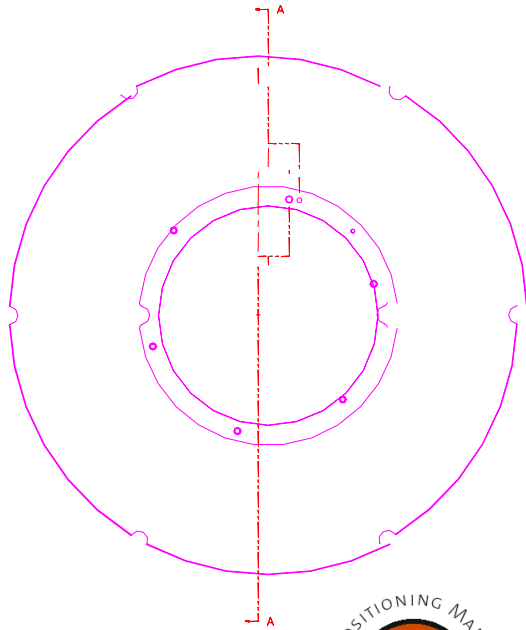
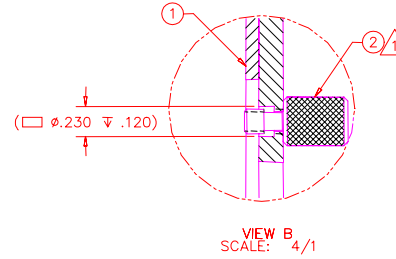


ITEM	PART NUMBER	DESCRIPTION	MANUFACTURER	QTY
PARTS LIST				
UNLESS OTHERWISE SPECIFIED:		TOLERANCES UNLESS OTHERWISE SPECIFIED: FRACTIONS DECIMALS ANGLES ± .XXX ± ± ± .XX ± ±	APPROVALS DRAWN S.VALDES CHECKED	DATE 4-24-00
MATERIAL		N/A	 SANTA CLARA, CA ANT, L1/L2, GEO IV, TNC	
FINISH		N/A	SIZE B	DRAWING NO. 202860
			SCALE: NONE	DO NOT SCALE DRAWING
			SHEET 1 OF 1	

NOTES: UNLESS OTHERWISE SPECIFIED.

 SECURE ITEM 2 (THUM B SCREW) TO ITEM 1 (GROUND PLANE).

REVISIONS			
REV	DESCRIPTION	DATE	APRV
A	RELEASE TO MANUFACTURING PER ECO #52277	11-21-00	RG



Grube 39a  
82377 Penzberg  
Germany

Tel.: +49 (8856) 80 30 980  
Fax: +49 (8856) 80 30 988  
Email: info@ppmgmbh.com  
Web: www.ppmgmbh.com

SECTION A-A

UNLESS OTHERWISE SPECIFIED:  
DIMENSIONS ARE IN INCHES.  
DIMENSIONS & TOLERANCES ARE PER  
ANSI Y14.5M - 1982, ADD'G  
ARE PER ANSI Y1.1 - 1972.  
THIS DRAWING AND SPECIFICATIONS  
HEREIN ARE THE PROPRIETARY PROPERTY  
OF MAGELLAN, INC. AND SHALL NOT BE  
REPRODUCED, COPIED, OR DISCLOSED, IN  
WHOLE OR PART, WITHOUT THE EXPRESS  
WRITTEN PERMISSION OF A DULY  
AUTHORIZED MAGELLAN EMPLOYEE.

ITEM	PART NUMBER	DESCRIPTION	MANUFACTURER	QTY
PARTS LIST				
TOLERANCES UNLESS OTHERWISE SPECIFIED:		APPROVALS	DATE	
FRACTIONS	DECIMALS	DOWN	11-08-99	
$\pm .XXX$	$\pm .005$	S. VALDES		
$\pm .XX$	$\pm .01$	CHECKED		
MATERIAL	N/A			
FINISH	N/A			
MAGELLAN Aerona Precision Products			SANTA CLARA, CA	
ASSY, GEO IV, GROUND PLANE				
SIZE	DRAWING NO.		REV	
B	A701976		A	
SCALE: NONE		DO NOT SCALE DRAWING	SHEET 1 OF 1	